



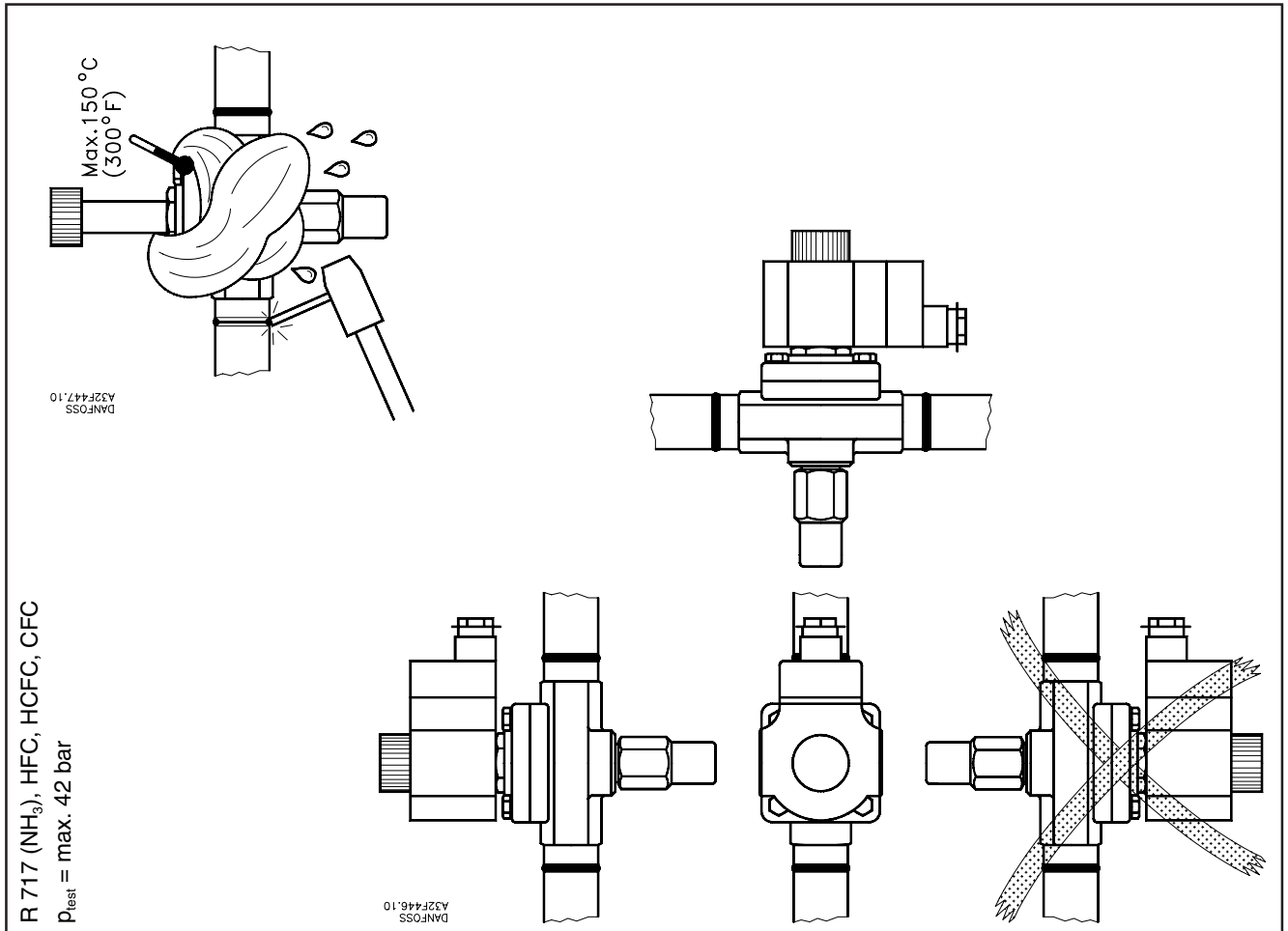
# INSTRUCTIONS

## EVRS, EVRST

R 717 (NH<sub>3</sub>), HFC, HCFC, CFC

P<sub>test</sub> = max. 42 bar

032R9513



DANFOSS  
A32F448.10

